



KM-81/116BAJ

SELF-CONTAINED CUBER WITH BUILT-IN STORAGE BIN



KM-81/116BAJ
07/24/19
Item # 13552

W x D x H
17^{3/4}" x 24" x 39"*
*including 6" legs

W x D x H
23^{3/4}" x 24" x 39"*
*including 6" legs

ADA Compliant

KMEdge DESIGN

KM-81BAJ ★
Air-Cooled

KM-116BAJ ★
Air-Cooled



Features

- ▶ Individual crescent cube
- ▶ Stainless steel evaporator
- ▶ CycleSaver™ design

KM-81BAJ

- Up to 78 lbs. of ice production per 24 hrs
- Built-in storage capacity of 1.3ft³/38 lbs.*

KM-116BAJ

- Up to 125 lbs. of ice production per 24 hrs
- Built-in storage capacity of 1.8ft³/53 lbs.*
- Durable stainless steel exterior
- Front-in, front-out airflow with removable air filter
- Slide in door
- Power switch accessible without panel removal
- Built-in installation possible
- 6.5 ft. (2000 mm) power cord with NEMA 5-15P plug
- H-GUARD Plus Antimicrobial adds extra protection to the ice scoop (included)
- EverCheck™ alert system
- R-134a Refrigerant
- *Optional Drain pump assembly - HS-5061*

Warranty:

3 Year Parts & Labor on entire machine 5 Year Parts & Labor on Evaporator.
5 Year Parts on Compressor; air-cooled condenser coil 1 Year - HS-5061 Drain Pump Assembly - Parts & Labor. Valid in United States, Canada, Puerto Rico and U.S. Territories. Contact factory for warranty in other countries.



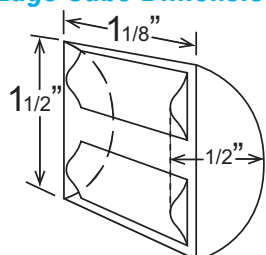
ICE PRODUCTION WATER USAGE ELECTRICAL

Condenser	Model	Air / Water Temp Lbs. per 24 hours		Potable Gal. per 100 lbs.		Condenser Gal. per 100 lbs.	kWh Used per 100 lbs.	Min. Circuit Amp. - Max Fuse/Breaker	Amperage	Voltage	Heat Rejection BTU/hr.	Refrigerant Charge Amount	Net / Ship Weight (lbs.)
		70° / 50°F	90° / 70°F	90° / 70°F	90° / 70°F								
Air-Cooled	KM-81BAJ	78	52	19.5	N/A	8.45	15A	3.5A	115V/60/1	1,350	7.1 oz.	92 / 125	
Air-Cooled	KM-116BAJ	125	100	20.0	N/A	8.10	15A	5.5A	115V/60/1	2,100	7.8 oz.	111 / 146	

KM-81BAJ Shipping: (LxWxH) 27" x 21" X 39" Volume: 12.80ft³

KM-116BAJ Shipping: (LxWxH) 27" x 27" X 39" Volume: 16.45ft³

KMEdge Cube Dimensions*



* approximate size in inches, image not to scale

Operating Limits

- Ambient Temp Range 45 - 100°F
- Water Temp Range 45 - 90°F
- Water Pressure 10 - 113 PSIG
- Voltage Range 104 - 127V

Service

- Allow enough space at rear for water supply and drain connections, at least 12" (30 cm) clearance at front and at least 0.6" (15 mm) clearance at top for maintenance.

Plumbing

- Icemaker Water Supply Line: Minimum 1/4" Nominal ID Copper Water Tubing or Equivalent
- Icemaker Drain Line: Minimum 3/4" Nominal ID Hard Pipe or Equivalent

Water Filter

Please refer to water filter spec sheet for recommended configurations.

Hoshizaki reserves the right to change specifications without notice.



KM-81/116BAJ

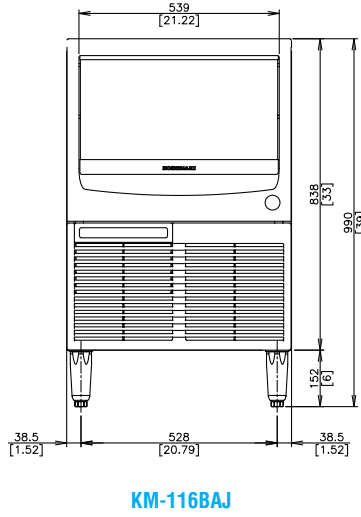
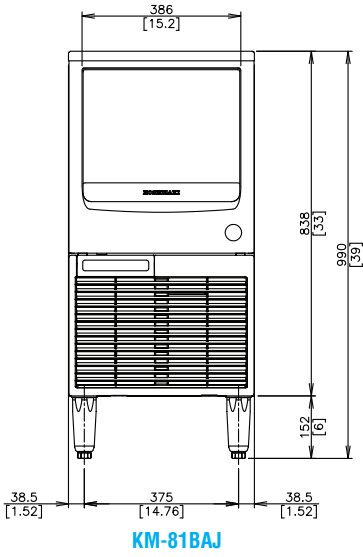
**SELF-CONTAINED CUBER
WITH BUILT-IN STORAGE BIN**



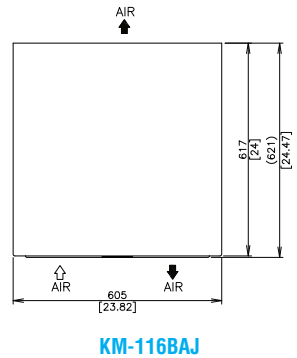
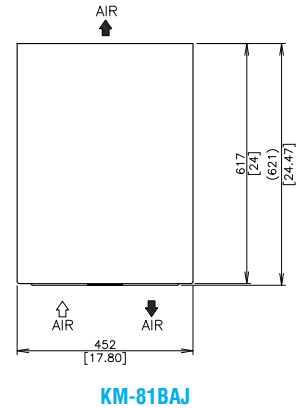
KM-81/116BAJ
07/24/19
Item # 13552

mm
[inch]

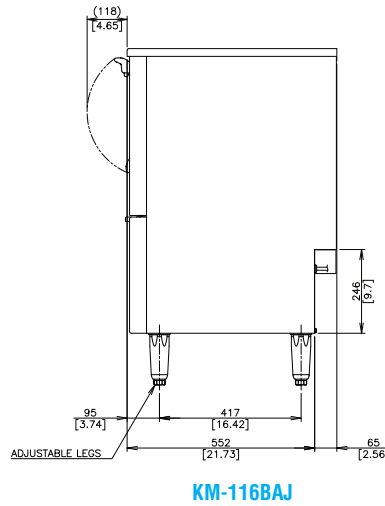
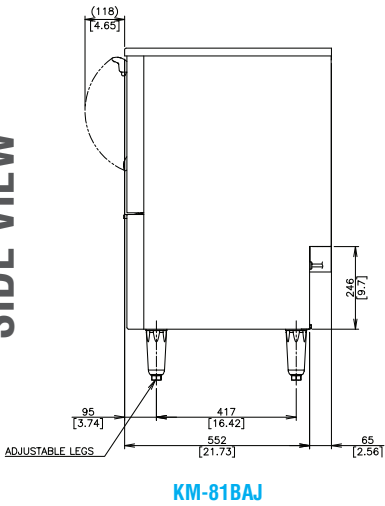
FRONT VIEW



TOP VIEW



SIDE VIEW



REAR VIEW

